

SHIELD POWER INDUCTOR CKCD Series 磁屏蔽电感 CKCD 系列

● FEATURES 特性

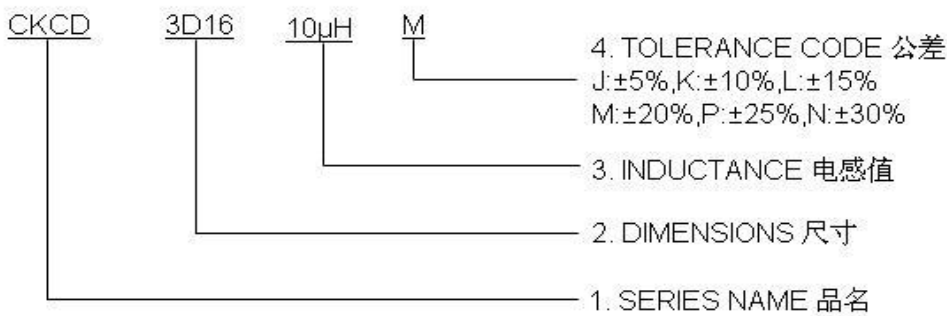
Various high power inductors are superior to be high saturation for surface mounting.
具有高功率、高饱和电流、低电阻特性。



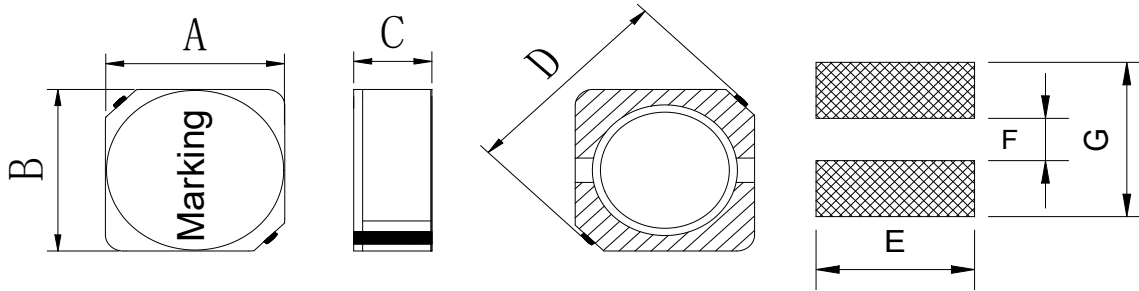
● APPLICATIONS 用途

Power supply for TVR,OA equipment, audio, LED television ,
communication equipments, DC/DC converters, etc.
录影机, OA仪器, 音箱, LED电视, 通信设备, DC/DC转换器

● PART NUMBERING SYSTEM 品名系统



● SHAPES AND DIMENSIONS 外形尺寸 (Unit:mm)



Recommended patterns

TYPE(型号)	A	B	C (Max)	D (Max)	E	F	G
CKCD3D16	3.8±0.5	3.8±0.5	2.1	5.5	4.3	1.0	4.3
CKCD4D18	4.7±0.5	4.7±0.5	2.1	6.9	5.3	1.5	5.3
CKCD4D28	4.7±0.5	4.7±0.5	3.5	6.9	5.3	1.5	5.3
CKCD5D28	5.7±0.5	5.7±0.5	3.2	8.2	6.3	2.0	6.3
CKCD6D28	6.7±0.5	6.7±0.5	3.2	9.5	7.3	2.0	7.3
CKCD6D38	6.7±0.5	6.7±0.5	4.2	9.5	7.3	2.0	7.3

● SPECIFICATION TABLE 规格特性表
CKCD3D16

PART NUMBER 品名	INDUCTANCE (μ H) 电感值	DCR (Max) (Ω) 直流电阻	IDC (Max) (A) 额定电流
CKCD3D16-2.2uH/N	2.2 \pm 30%	0.100	1.20
CKCD3D16-3.3uH/N	3.3 \pm 30%	0.140	1.00
CKCD3D16-4.7uH/N	4.7 \pm 30%	0.150	0.90
CKCD3D16-6.8uH/M	6.8 \pm 20%	0.170	0.73
CKCD3D16-10uH/M	10 \pm 20%	0.200	0.60
CKCD3D16-15uH/M	15 \pm 20%	0.450	0.45
CKCD3D16-22uH/M	22 \pm 20%	0.500	0.40

CKCD4D18

PART NUMBER 品名	INDUCTANCE (μ H) 电感值	DCR (Max) (Ω) 直流电阻	IDC (Max) (A) 额定电流
CKCD4D18-2.2uH/N	2.2 \pm 30%	0.070	1.50
CKCD4D18-3.3uH/N	3.3 \pm 30%	0.110	1.00
CKCD4D18-4.7uH/M	4.7 \pm 20%	0.120	0.80
CKCD4D18-6.8uH/M	6.8 \pm 20%	0.162	0.70
CKCD4D18-10uH/M	10 \pm 20%	0.180	0.65
CKCD4D18-15uH/M	15 \pm 20%	0.290	0.60
CKCD4D18-22uH/M	22 \pm 20%	0.450	0.50
CKCD4D18-33uH/M	33 \pm 20%	0.680	0.40
CKCD4D18-47uH/M	47 \pm 20%	0.950	0.30

Remark: 1. All test data is reference to 25°C ambient.

2. Inductance Tested at 100kHz,0.25Vrms

3. IDC: DC current at which the inductance drops approximate 20% from its value without current;

4. Operating Temperature : -40°C ~ +125°C(Including self - temperature rise)

CKCD4D28

PART NUMBER 品名	INDUCTANCE (μ H) 电感值	DCR (Max) (Ω) 直流电阻	IDC (Max) (A) 额定电流
CKCD4D28-2.2uH/N	2.2 \pm 30%	0.050	1.80
CKCD4D28-3.3uH/N	3.3 \pm 30%	0.060	1.60
CKCD4D28-4.7uH/M	4.7 \pm 20%	0.065	1.50
CKCD4D28-6.8uH/M	6.8 \pm 20%	0.080	1.10
CKCD4D28-10uH/M	10 \pm 20%	0.130	0.90
CKCD4D28-22uH/M	22 \pm 20%	0.220	0.60
CKCD4D28-33uH/M	33 \pm 20%	0.350	0.50
CKCD4D28-47uH/M	47 \pm 20%	0.450	0.40
CKCD4D28-68uH/M	68 \pm 20%	0.700	0.35
CKCD4D28-100uH/M	100 \pm 20%	0.900	0.30
CKCD4D28-150uH/M	150 \pm 20%	1.200	0.20
CKCD4D28-220uH/M	220 \pm 20%	1.800	0.15

Remark: 1. All test data is reference to 25 $^{\circ}$ C ambient.

2. Inductance Tested at 100kHz,0.25Vrms

3. IDC: DC current at which the inductance drops approximate 20% from its value without current;

4. Operating Temperature : -40 $^{\circ}$ C ~ +125 $^{\circ}$ C(Including self - temperature rise)

CKCD5D28

PART NUMBER 品名	INDUCTANCE (μ H) 电感值	DCR (Max) (Ω) 直流电阻	IDC (Max) (A) 额定电流
CKCD5D28-2.2uH/N	2.2 \pm 30%	0.035	2.00
CKCD5D28-3.3uH/N	3.3 \pm 30%	0.060	1.90
CKCD5D28-4.7uH/M	4.7 \pm 20%	0.065	1.50
CKCD5D28-6.8uH/M	6.8 \pm 20%	0.075	1.25
CKCD5D28-10uH/M	10 \pm 20%	0.090	1.00
CKCD5D28-15uH/M	15 \pm 20%	0.110	0.80
CKCD5D28-22uH/M	22 \pm 20%	0.170	0.70
CKCD5D28-33uH/M	33 \pm 20%	0.265	0.50
CKCD5D28-47uH/M	47 \pm 20%	0.300	0.45
CKCD5D28-68uH/M	68 \pm 20%	0.600	0.40
CKCD5D28-100uH/M	100 \pm 20%	0.700	0.30
CKCD5D28-120uH/M	120 \pm 20%	0.800	0.25
CKCD5D28-220uH/M	220 \pm 20%	1.500	0.20

Remark: 1. All test data is reference to 25 $^{\circ}$ C ambient.

2. Inductance Tested at 100kHz,0.25Vrms

3. IDC: DC current at which the inductance drops approximate 20% from its value without current;

4. Operating Temperature : -40 $^{\circ}$ C ~ +125 $^{\circ}$ C(Including self - temperature rise)

CKCD6D28

PART NUMBER 品名	INDUCTANCE (μ H) 电感值	DCR (Max) (Ω) 直流电阻	IDC (Max) (A) 额定电流
CKCD6D28-2.2uH/N	2.2 \pm 30%	0.040	2.80
CKCD6D28-3.3uH/N	3.3 \pm 30%	0.045	2.20
CKCD6D28-4.7uH/M	4.7 \pm 20%	0.060	1.80
CKCD6D28-6.8uH/M	6.8 \pm 20%	0.070	1.50
CKCD6D28-10uH/M	10 \pm 20%	0.080	1.30
CKCD6D28-15uH/M	15 \pm 20%	0.110	0.90
CKCD6D28-22uH/M	22 \pm 20%	0.145	0.80
CKCD6D28-33uH/M	33 \pm 20%	0.220	0.60
CKCD6D28-47uH/M	47 \pm 20%	0.270	0.50
CKCD6D28-100uH/M	100 \pm 20%	0.700	0.40
CKCD6D28-150uH/M	150 \pm 20%	0.950	0.38

CKCD6D38

PART NUMBER 品名	INDUCTANCE (μ H) 电感值	DCR (Max) (Ω) 直流电阻	IDC (Max) (A) 额定电流
CKCD6D38-2.2uH/N	2.2 \pm 30%	0.033	3.00
CKCD6D38-3.3uH/N	3.3 \pm 30%	0.035	2.80
CKCD6D38-4.7uH/M	4.7 \pm 20%	0.040	2.30
CKCD6D38-6.8uH/M	6.8 \pm 20%	0.050	2.00
CKCD6D38-10uH/M	10 \pm 20%	0.070	1.80
CKCD6D38-15uH/M	15 \pm 20%	0.105	1.50
CKCD6D38-22uH/M	22 \pm 20%	0.160	1.30
CKCD6D38-33uH/M	33 \pm 20%	0.170	1.00
CKCD6D38-47uH/M	47 \pm 20%	0.250	0.90
CKCD6D38-68uH/M	68 \pm 20%	0.270	0.60
CKCD6D38-100uH/M	100 \pm 20%	0.400	0.40
CKCD6D38-150uH/M	150 \pm 20%	0.850	0.35
CKCD6D38-220uH/M	220 \pm 20%	1.050	0.30
CKCD6D38-330uH/M	330 \pm 20%	1.60	0.20
CKCD6D38-470uH/M	470 \pm 20%	2.50	0.25

Remark: 1. All test data is reference to 25°C ambient.

2. Inductance Tested at 100kHz,0.25Vrms

3. IDC: DC current at which the inductance drops approximate 20% from its value without current;

4. Operating Temperature : -40°C ~ +125°C(Including self - temperature rise)

SMD POWER INDUCTOR CKCD8D43 Series

磁屏蔽电感 CKCD8D43 系列

● FEATURES 特性

Various high power inductors are superior to be high saturation for surface mounting.
具有高功率、高饱和电流、低电阻特性。

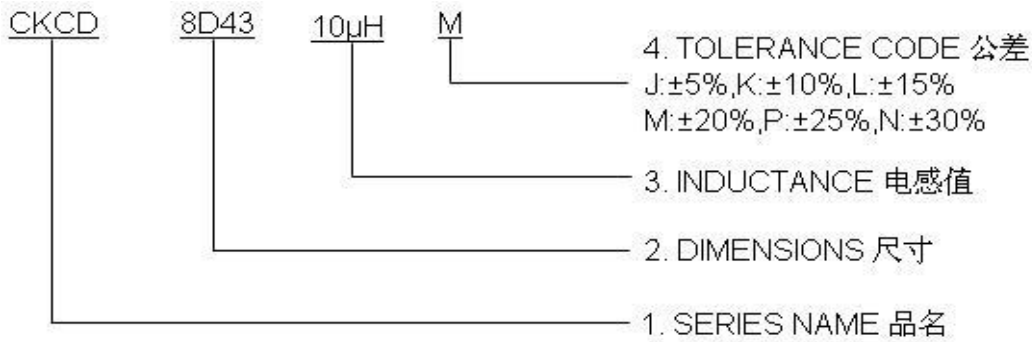


● APPLICATIONS 用途

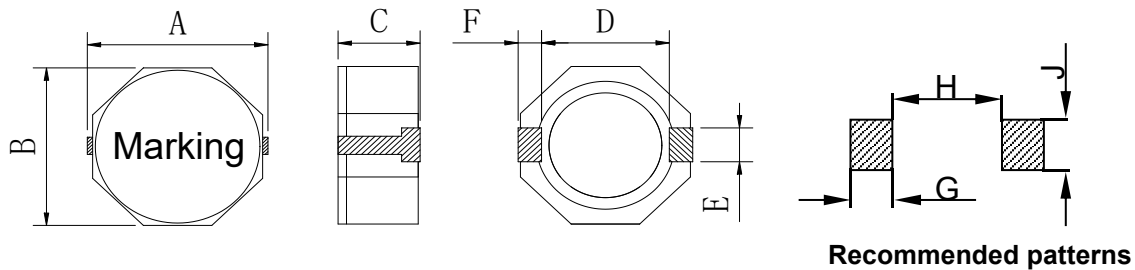
Power supply for TVR,OA equipment Digital camera,LCD television set notebook PC,
portable communicaton equipments,DC/DC converters,etc.

录影机，OA仪器，数码相机，液晶电视，笔记本电脑，小型通信设备，DC/DC转换器。

● PART NUMBERING SYSTEM 品名系统



● SHAPES AND DIMENSIONS 外形尺寸 (Unit:mm)



TYPE(型号)	A (Max)	B (Max)	C (Max)	D (Ref)	E (Ref)	F (Ref)	G	H	J
CKCD8D43	10.2	8.5	5.0	6.0	2.5	1.2	2.0	6.1	2.8

● **PART NUMBERING SYSTEM 品名系统**

CKCD8D43

PART NUMBER 品名	INDUCTANCE (μ H) 电感值	DCR (Max) (Ω) 直流电阻	IDC (Max) (A) 额定电流
CKCD8D43-4.7uH/N	4.7 \pm 30%	0.040	2.80
CKCD8D43-6.8uH/M	6.8 \pm 20%	0.050	2.50
CKCD8D43-10uH/M	10 \pm 20%	0.060	2.30
CKCD8D43-15uH/M	15 \pm 20%	0.080	2.10
CKCD8D43-22uH/M	22 \pm 20%	0.105	1.80
CKCD8D43-33uH/M	33 \pm 20%	0.140	1.20
CKCD8D43-47uH/M	47 \pm 20%	0.200	1.00
CKCD8D43-68uH/M	68 \pm 20%	0.270	0.95
CKCD8D43-100uH/M	100 \pm 20%	0.390	0.80
CKCD8D43-150uH/M	150 \pm 20%	0.500	0.60
CKCD8D43-220uH/M	220 \pm 20%	0.680	0.50
CKCD8D43-270uH/M	270 \pm 20%	0.780	0.45
CKCD8D43-330uH/M	330 \pm 20%	1.00	0.35
CKCD8D43-680uH/M	680 \pm 20%	2.00	0.20

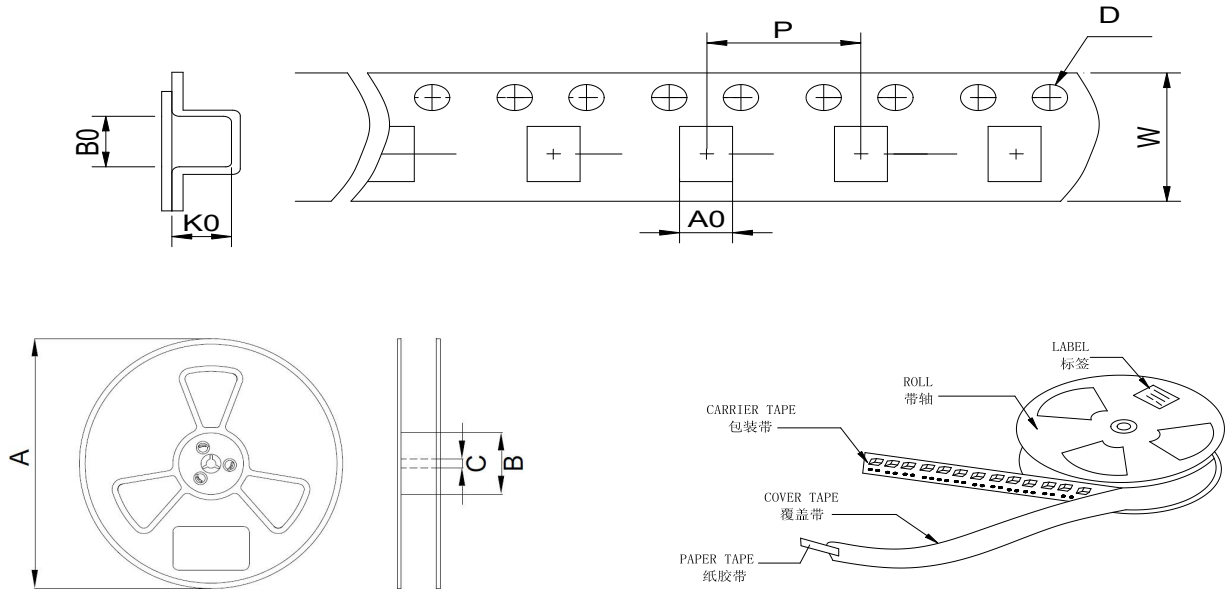
Remark: 1. All test data is reference to 25°C ambient.

2. Inductance Tested at 100kHz,0.25Vrms

3. IDC: DC current at which the inductance drops approximate 20% from its value without current;

4. Operating Temperature : -40°C ~ +125°C(Including self - temperature rise)

● **PACKAGING SPECIFICATION 包装规格**



TYPE(型号)	Tape Dimension 载带尺寸(mm)						Reel Dimension 卷盘尺寸 (mm)			Quantity (Pcs/Reel) 数量 (个/卷)
	W	A0	B0	K0	D	P	A	B	C	
CKCD3D16	12.0	4.2	4.2	2.4	1.5	8.0	330	100	13	3000
CKCD4D18	12.0	5.4	5.4	2.5	1.5	8.0	330	100	13	3000
CKCD4D28	12.0	5.5	5.5	3.8	1.5	8.0	330	100	13	2000
CKCD5D28	16.0	6.1	6.1	3.2	1.5	8.0	330	100	13	2000
CKCD6D28	16.0	7.2	7.2	3.5	1.5	12.0	330	100	13	1500
CKCD6D38	16.0	7.6	7.6	4.5	1.5	12.0	330	100	13	1000
CKCD8D43	24.0	8.4	9.3	5.2	1.5	12.0	330	100	13	1000